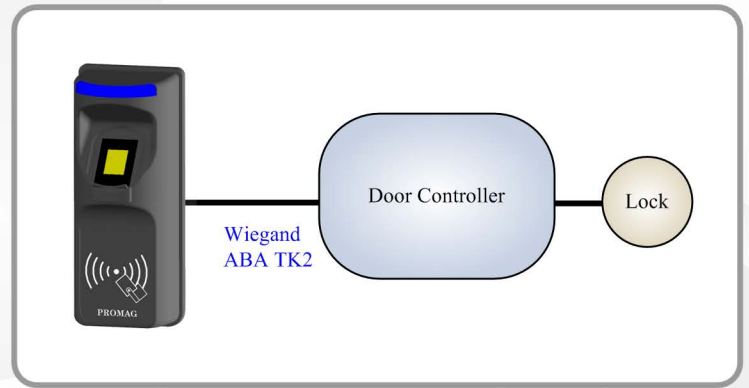


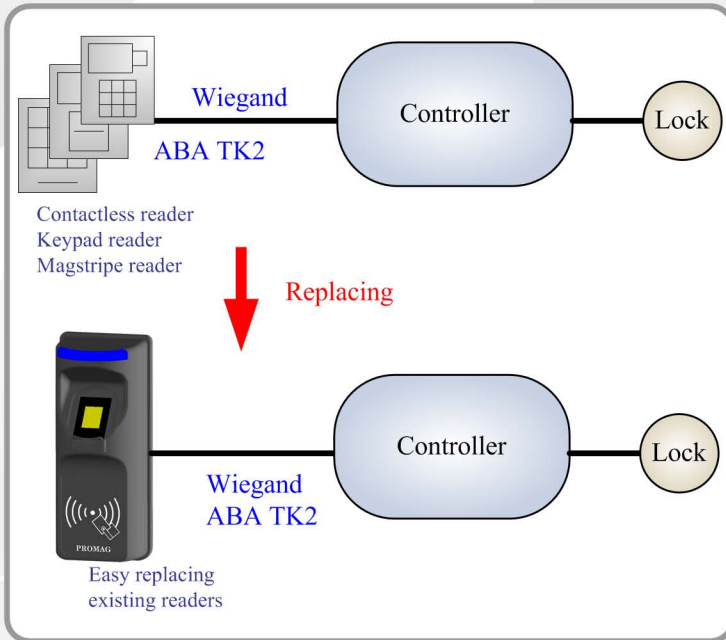


SmaFinger[®]

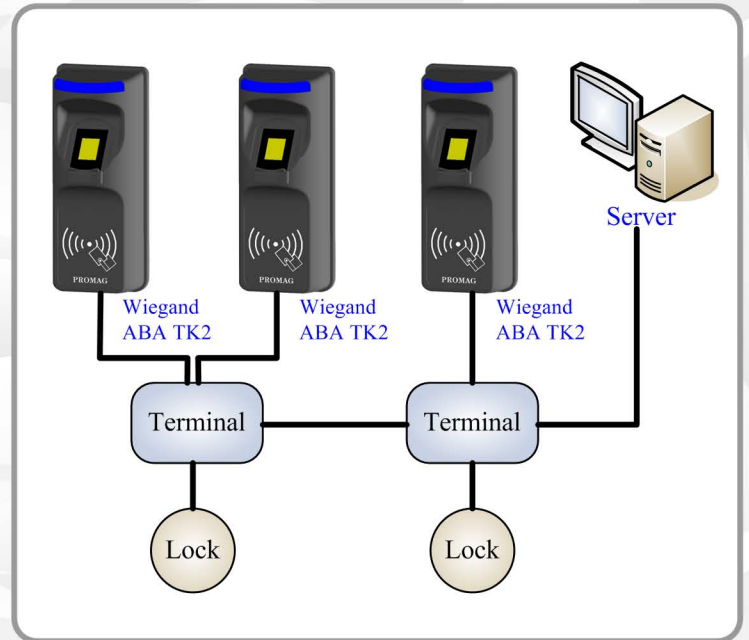
Configuration



Standalone

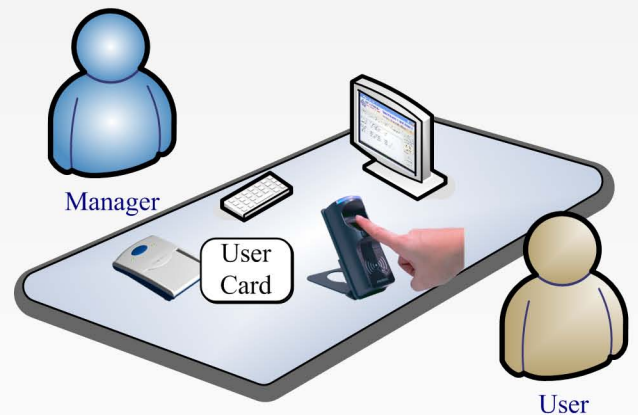


Replacing Existing Reader



Network

Usage



Enrollment



Biometrics



Standalone

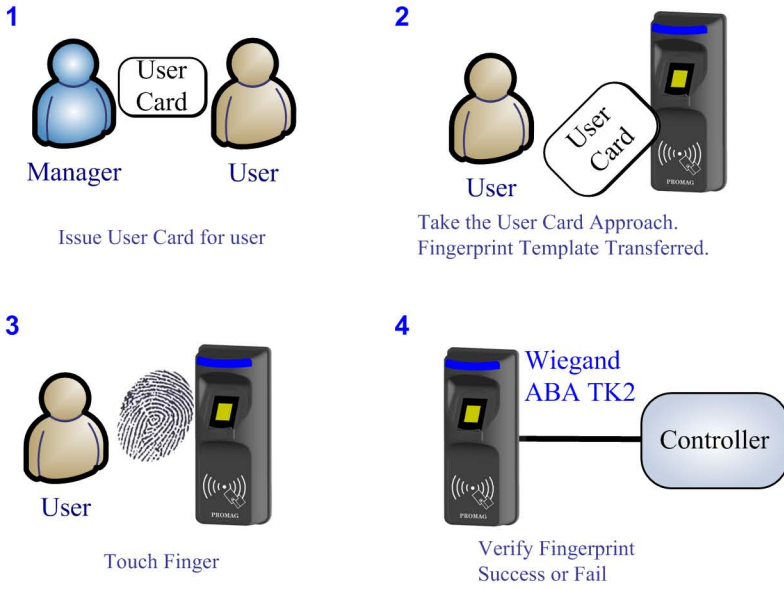


Security

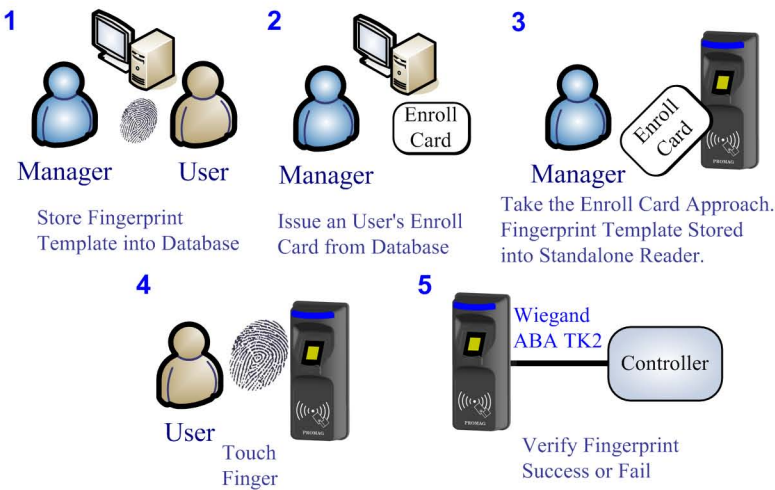


Easy Replacing

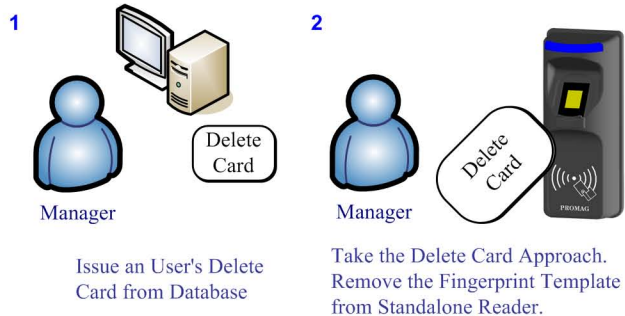
Usage for Card + Finger



Usage for Finger Only and Add User



Delete User



Biometrics



Standalone



Security



Easy Replacing



SmaFinger is a fingerprint reader developed on the so-called contactless smart card 13.56 Mhz RFID technology. The integration of biometric technology by fingerprint identification and 13.56Mhz RFID technology makes SmaFinger be capable of biometric and contactless performance without spending large amount of expenses in running system upgrading with fingerprint system extension. On the aspect of personal privacy issue, SmaFinger provides the high secure of protection on privacy concern because every fingerprint is stored on a card. Also the reader itself supports Mifare MAD1/MAD2 format to make user end be able to issue their customized ID cards.

Three Access Modes

- * Card Only
- * Card + Fingerprint
- * Fingerprint only

Mode of Fingerprint only is also able to access functions of card enrollment and deletion. No need to apply extra on-line system or equipment to build up the fingerprint database.

Applications

- * Time attendance.
- * Access control and Hotel locker management.
- * Credit card or card cash.
- * Membership card.
- * Drive license or personal ID identification.
- * Log in system.
- * Wiegand devices or ABA-TK2 compatible.

Keynotes

High secure of protection for loss of ID card (Unduplicated).

Card + Fingerprint supports limitless fingerprint capacity.

Featuring 3 interfaces in one devices - Wiegand, RS232 and ABA-TK2.

Low risk of privacy intrusion

Supports Mifare MAD 1/MAD 2 format, available for customized definitions and card issuing.

SmaFinger	Model No.		SF500	SF600
	Application		Standalone Mifare Sector Reader	
Access Mode	Card Only		Supported	
	Card + Fingerprint	Enroll Mode	No Need	
		Fingerprint Capacity	Unlimited	
		Fingerprint Validation	1:1	
		Performance	Security	
	Fingerprint Only	Enroll Mode	RS232 or Enroll Card	
		Fingerprint Capacity	10	1900
		Fingerprint Validation	1:10	1:N
Performance		Friendly		
Mifare Card	Max Fingerprint Template Capacity		2	
	Mifare Card Type		1K /4K	
	Card Format		For MAD1/MAD2 Only	
Reader	Configurable Interface		RS232 : 2400~57600 bps Wiegand: 26~128 bits ABA-TK2: 2~24 Digital Codes	
	Identification speed		<2 sec (1:1) <5 sec (1:10)	<1 sec (1:1) <3 sec (1:N)
	Mifare Read Distance		Max. 50mm	
	Power Consumption		Max. 200mA @ DC12V	



集佳股份有限公司
GIGA-TMS INC.

8F, No. 31 Lane 169, Kang-Ning St,
Hsi-Chih, Taipei County, Taiwan 221

Tel: + 886-2-26954214

Fax: + 886-2-26954213

E-mail: promag@gigatms.com.tw

URL: www.gigatms.com.tw